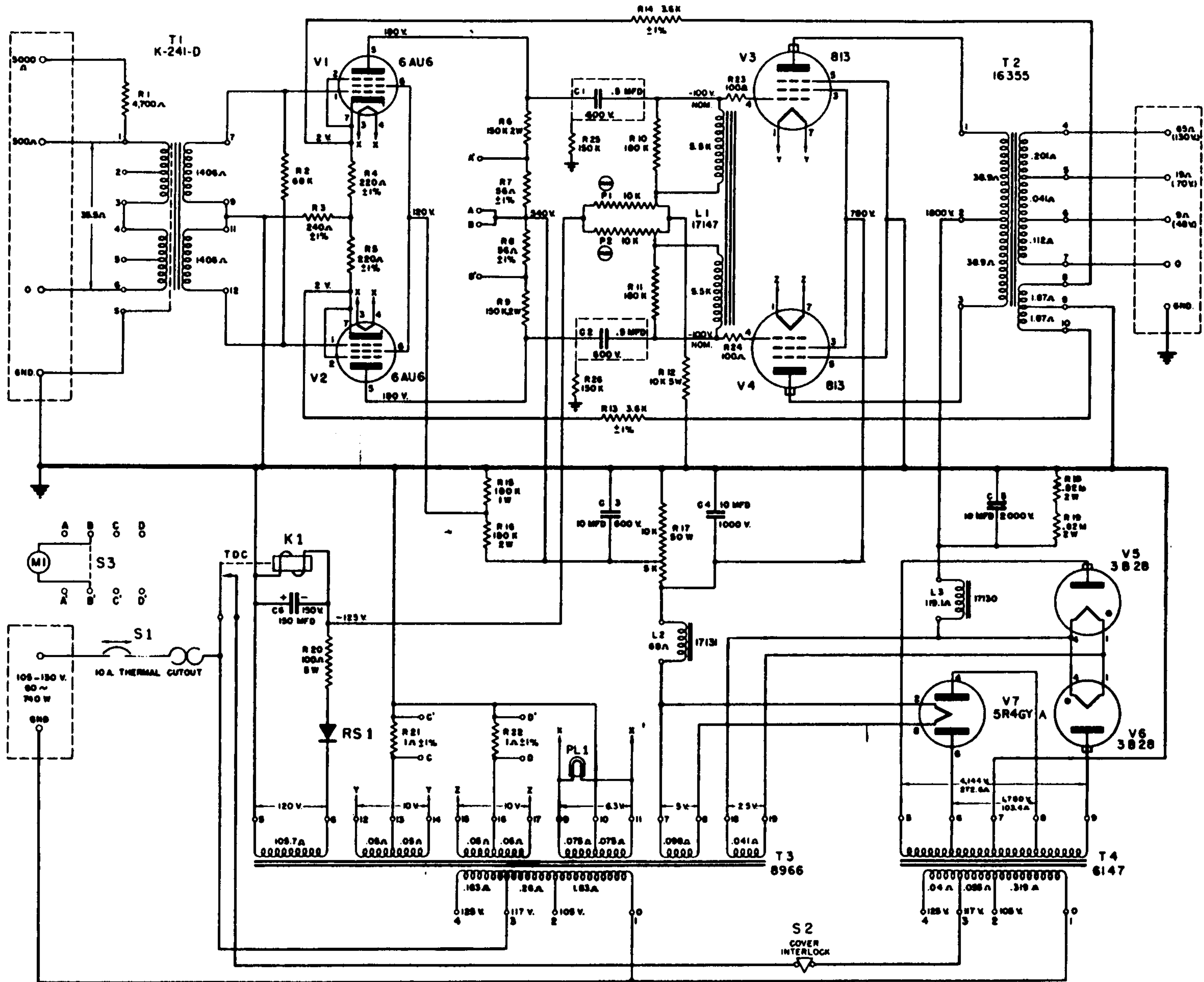


INPUT CONNECTIONS ARE STANDARD AS SHOWN AND SHOULD SATISFY MOST REQUIREMENTS. ADDITIONAL IMPEDANCES ARE AVAILABLE HOWEVER BY RECONNECTING T1 AS INDICATED BELOW.

T1 PRIMARY CONNECTIONS		
INPUT	CONNECT TO	STRAP
500/600	1-6	3-4
250/300	1-6	2-4 + 3-5
150	1-6	1-4 + 3-6
30/50	1-6	1-5 + 2-6



LEGEND
 A = OHMS
 K = 1,000A
 M = 1,000,000A
 ALL CAPACITANCE VALUES IN MFD.
 UNLESS OTHERWISE INDICATED.

ALTEC LANSING 260A AMPLIFIER

REV	DATE	CHANGED	BY
1	12-21-54		
2	9-26-55	ADDED R23 AND R24	
3	1-30-56	R18 WAS R15 R19 WAS R13A	
4	9-26-56	ADDED T3 TERM. NOB. T40 WAS 600	

ALTEC LANSING CORPORATION
 SCHEMATIC
 260A AMPLIFIER